

DP150

Soil temperature sensor

Manual (EN)

The logo for froggit.de, featuring the word "froggit" in a bold, lowercase sans-serif font, followed by ".de" in a smaller, lowercase sans-serif font. The entire logo is centered within a light beige rectangular background.

Support/updates/manuals/spare parts/compatible products:
www.froggit.de / info@froggit.de

Overview

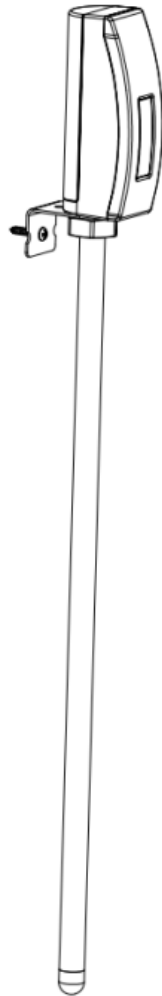


Figure 1: Soil temperature sensor

Temperature sensor:

- Measures temperature with a 30cm stainless steel probe sensor
- Transmits readings every 77 seconds.
- Waterproof according to IP65.
- LCD display for current reading.

When paired with a DP1500 Wi-Fi gateway:

- Displays temperature readings on the live data page of the WS View app (requires the DP1500 and your smartphone to use the same Wi-Fi network).
- Up to 8 channels are supported. The channel names can be edited in the app.
- Battery level information is displayed in the WS View app.

When paired with a weather station console (HP1000SE PRO series / WH3900):

- Real-time temperature data shown on the display (HP1000SE PRO series only).
- Up to 8 channels are supported. The channel names can be edited on the console.
- Use of Ecovitt Weather Server: View current temperature data, historical records and graphs on the website.
- Receive email alerts from the server.
- Remote monitoring with smartphone, laptop or computer by visiting the website.

Setup (commissioning):

Inserting the battery

1. remove the battery compartment on the back of the transmitter by removing the screw (see figure 2):

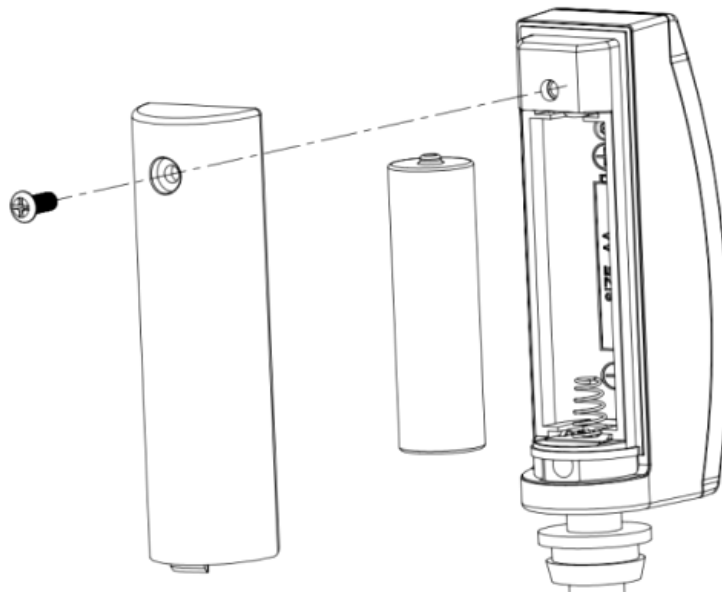


Figure 2: Inserting the battery

2. insert a 1.5 V AA battery (pay attention to the polarity: the flat side of the battery must be against the spring side of the battery compartment).

The temperature reading is immediately displayed on the LCD screen and is normally updated every 77 seconds (the sensor transmission update period).

Note: If no reading is displayed on the screen, make sure the battery is inserted correctly or a proper reset has been performed. Make sure the battery is inserted correctly. Do not insert the battery upside down.

3. close the battery cover

Placement of the sensor:

To mount the unit on a wall or wooden beam:

- Use a screw (screw ST D3.2*M2.0*6) to fix the bracket to the wall, then pass the probe through the hole in the bracket as shown in Figure 3:

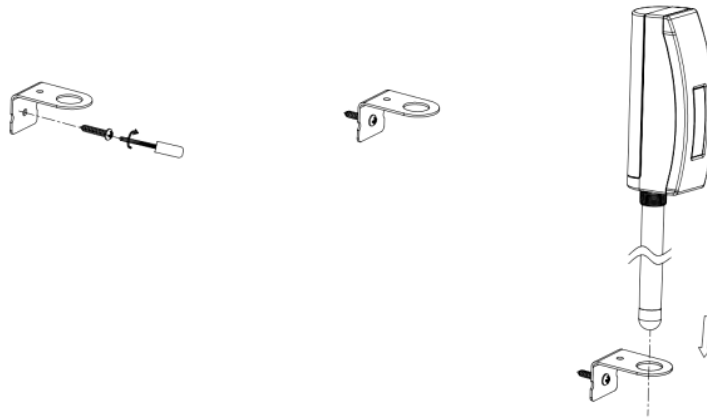


Figure 3

- Attach the sensor to the bracket with the M12 hex nut and tighten the screw as shown in figure 4: (Turn the nut by hand until it is tight, then use a spanner to turn 1/3 to 1/2 turn and no more. Do not over tighten).

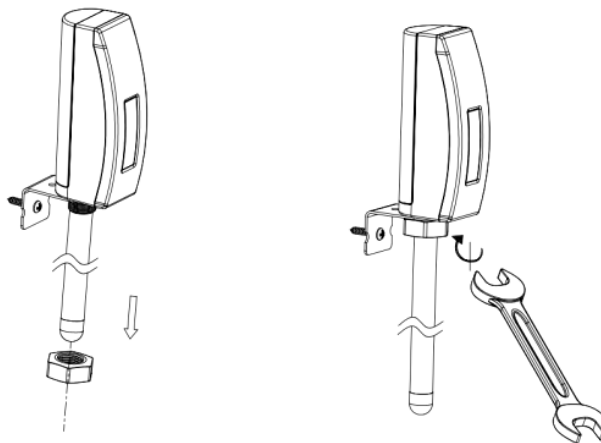


Figure 4

For attaching the unit to a pole (not included in the scope of delivery) with the supplied hose clamp:

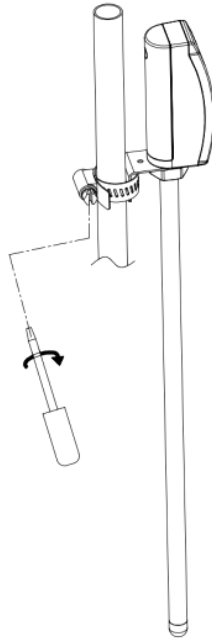


Figure 5

Wi-Fi Configuration:

To view sensor data on your mobile app and receive email alerts on our weather server, you need to pair this device with our froggit DP1500 or our HP1000SE PRO Series / WH3900 weather station (each sold separately).

Pairing with froggit DP1500:

If the DP1500 has already been in use and you have never set up a DP150 sensor before, simply switch on the sensor and the DP1500 will automatically accept the sensor data.

Note: The DP1500 can support up to 8 DP150 temperature sensors. Each new sensor will be recognised as a new channel according to the power-up sequence. You can assign a label to the channel on each sensor to distinguish it. The channel name can be edited both in the app and on ecowitt.net (the name edited in the app is not synchronised with the ecowitt.net website and should be edited separately on the device setup page on ecowitt.net).

If you want to use a new DP150 sensor to replace the old one (which is already configured on a specific channel), please try the following:

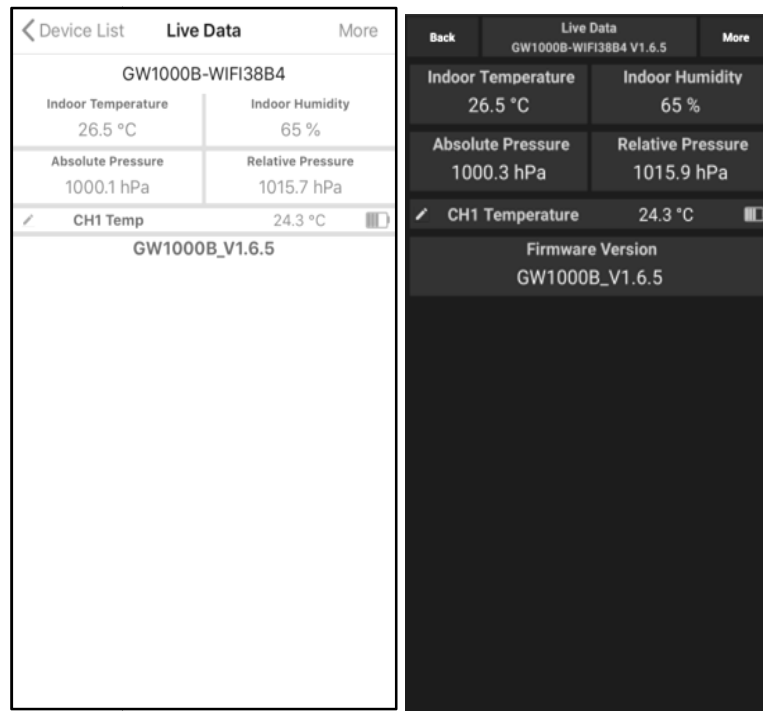
1. open the Sensor ID page in the WS View app and locate your old sensor ID. Switch off the old sensor and switch on the new sensor. 3.

On the Sensor ID page, click 'Register New'.

The new sensor will then be enrolled and the old sensor will be deleted.

View online data with WS View:

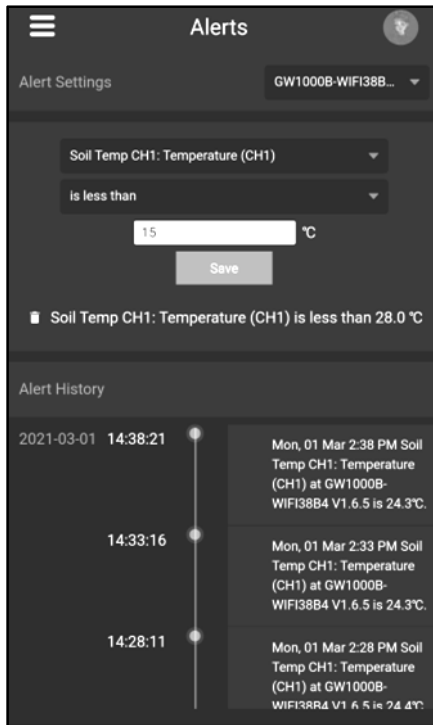
When the Wi-Fi configuration is complete (to tell the DP1500 to connect to your Wi-Fi network), your sensor data and the sensor's battery voltage information will be displayed in the WS View app on the Live Data page.



Note: Your smartphone and the DP1500 must be on the same network when viewing live data from your sensor in the WS View App. Live data refers to actual data received from the DP1500 and is not stored in the WS View App. However, the data is always transferred to and stored in the www.ecowitt.net Cloud (under your registered account, and you can access it at any time via your browser).

Set email alerts:

Once your device has been successfully added to the Ecowitt weather server, you can set alerts for the sensor on the website to receive email notifications.



Specifications:

- Power supply: 1x1.5V AA battery (not included).
- Sensor type: epoxy sealed thermistor or NTC
- Frequency: 868 MHz

Caution !

This booklet may contain errors or misprints. The information is contains is regularly c hecked and correction are included in subsequence editions.

We disclaim any responsibility for any printing error, or their consequences.

The specification of this product may change without prior notice.

General safety instructions

Danger of asphyxiation:

Keep all packaging materials (plastic bags, rubber bands, etc.) away from children. There is a danger of suffocation!

Danger of burns:

Caution! Leaking / leaking battery acid can lead to burns! Avoid contact of battery acid with eyes, mucous membranes and skin. In case of contact, rinse the affected areas immediately with clear water and consult a doctor.

Risk of electric shock:

Children must not be unattended with the device, because the device contains electronic parts which are operated by means of a power source. The device may only be used as described in the instructions. If not, there is a risk of electric shock.

Danger of fire & explosion:

Use only recommended batteries. Never short-circuit the unit or batteries. Never throw the device or batteries into a fire! Overheating and improper handling may result in short circuits which can cause fires and explosions.

Important:

If there is a defect, contact your dealer immediately. Never disassemble the device! The dealer will contact the service department. Never expose the device to water! Protect the device from vibrations. Only use recommended batteries. Never mix batteries - Always replace empty batteries with a complete set of full power batteries. If the unit is not powered for a longer period of time or is not in use, remove the batteries from the unit. The manufacturer accepts no liability for incorrectly inserted batteries



Notes on the return of batteries according to §12 BatterieVO: Batteries do not belong in the household waste. Please dispose of all batteries as required by law, disposal in domestic waste is expressly prohibited. Batteries and rechargeable batteries can be dispensed free of charge at municipal collection points or in the shops on the spot.

This manual may not be reproduced in any form without the written permission of the publisher, even in excerpts.

This manual may contain errors and misprints. However, the information in this

manual is regularly reviewed and corrections made in the next issue. We accept no liability for technical errors or printing errors, and their consequences.
All trademarks and copyrights are acknowledged.

www.froggit.de



HS Group GmbH & Co. KG

Escherstr.31
50733 Koeln
Germany

Telefon 0221 / 367 48 05

E-Mail info@hs-group.de

Registergericht Amtsgericht
Koeln HRA 26493
Komplementaer: HS Group
Verwaltungsgesellschaft mbH
Sitz Koeln
Registergericht Amtsgericht
Koeln HRB 64734
Geschaeftsfuehrer: Peter
Haefele, Carl Schulte

UStId DE237971721
WEEE Reg. Nr. 66110125

declaration of conformity

Hereby we declare, HS-Group GmbH & Co.KG, Escherstr. 31, 50733 D-Cologne,
that this product is in compliance with the essential requirements and other relevant
provisions of Directive 2014/53/EU.

The declaration of conformity for this product can be found at: www.froggit.de or on
request.